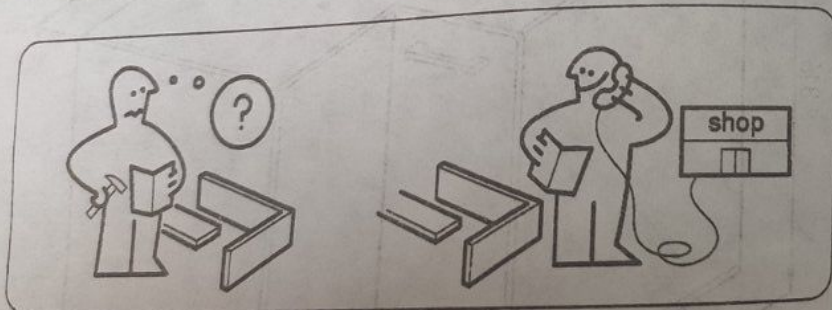
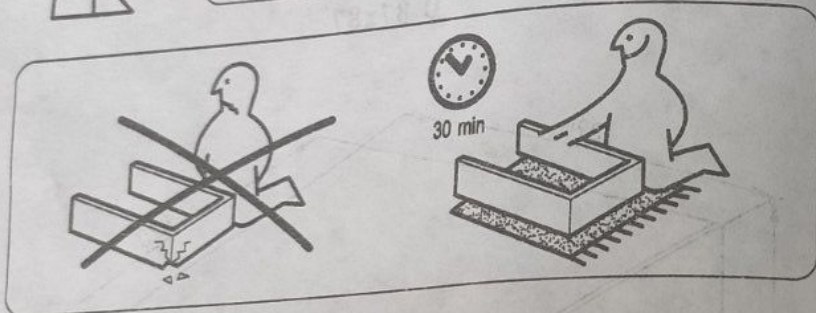
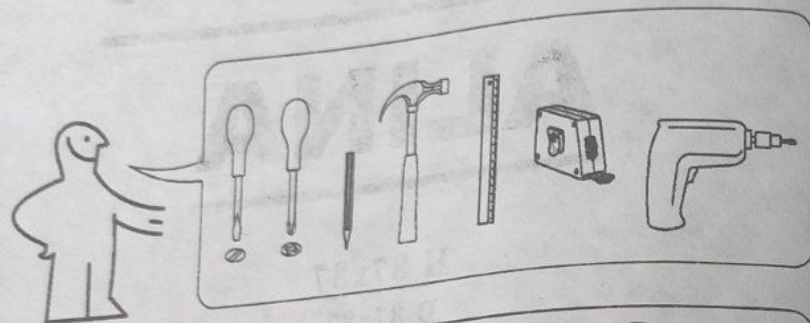


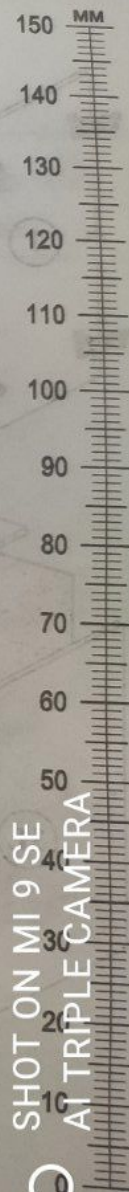
Martha
Alina



Martha
Alina

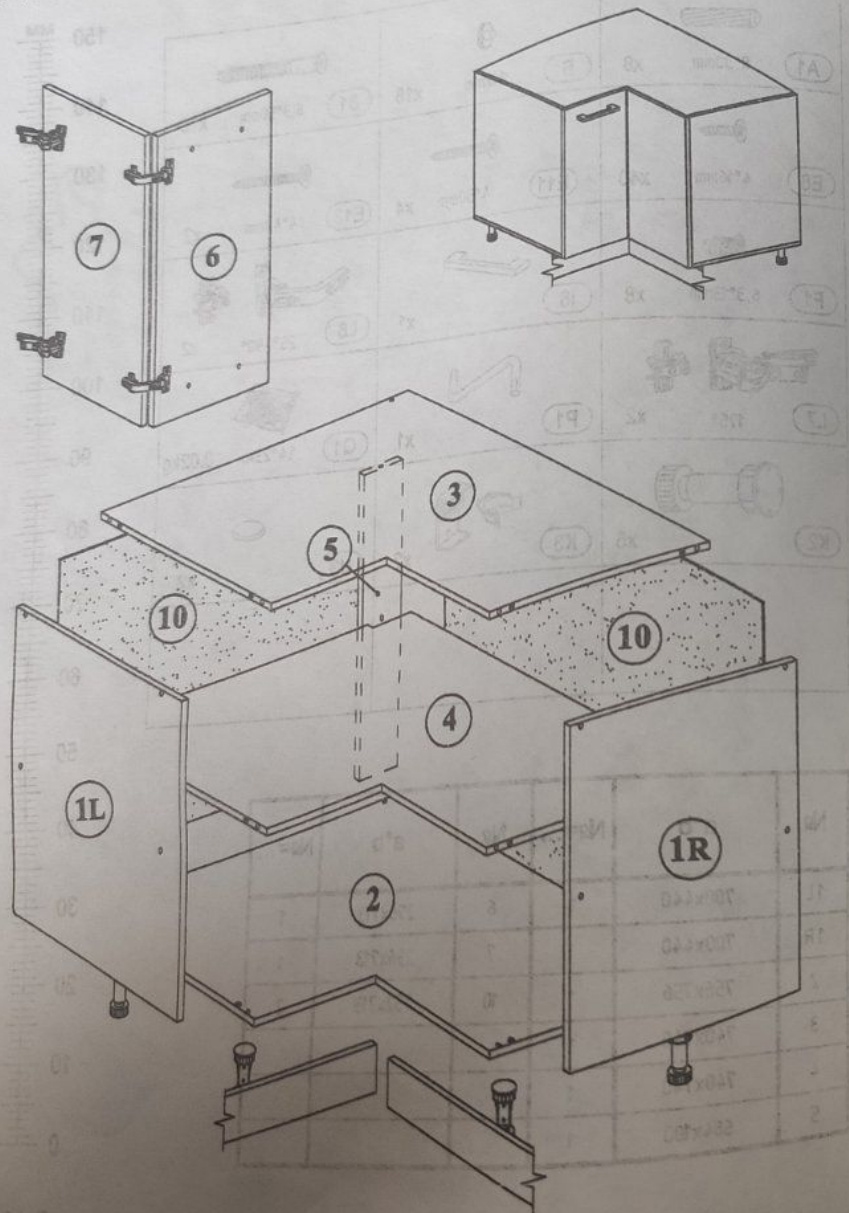
A1 8*30mm x8	B \varnothing 12mm x16	B1 6,3*50mm x16
E8 4*16mm x40	E11 4*30mm x4	E13 4*40mm x2
F1 6,3*13mm x8	I8 x1	L6 25°-90° x2
L7 175° x2	P1 x1	Q1 14*25mm 0.02kg
K2 x5	K3 x2	U3 x2

Nº	a*b	Nº=...	Nº	a*b	Nº=...
1L	700x440	1	6	296x713	1
1R	700x440	1	7	296x713	1
2	756x756	1	10	752x713	2
3	740x740	1			
4	740x740	1			
5	684x100	1			



SHOT ON MI 9 SE
AI TRIPLE CAMERA



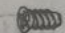
Martha
Alina

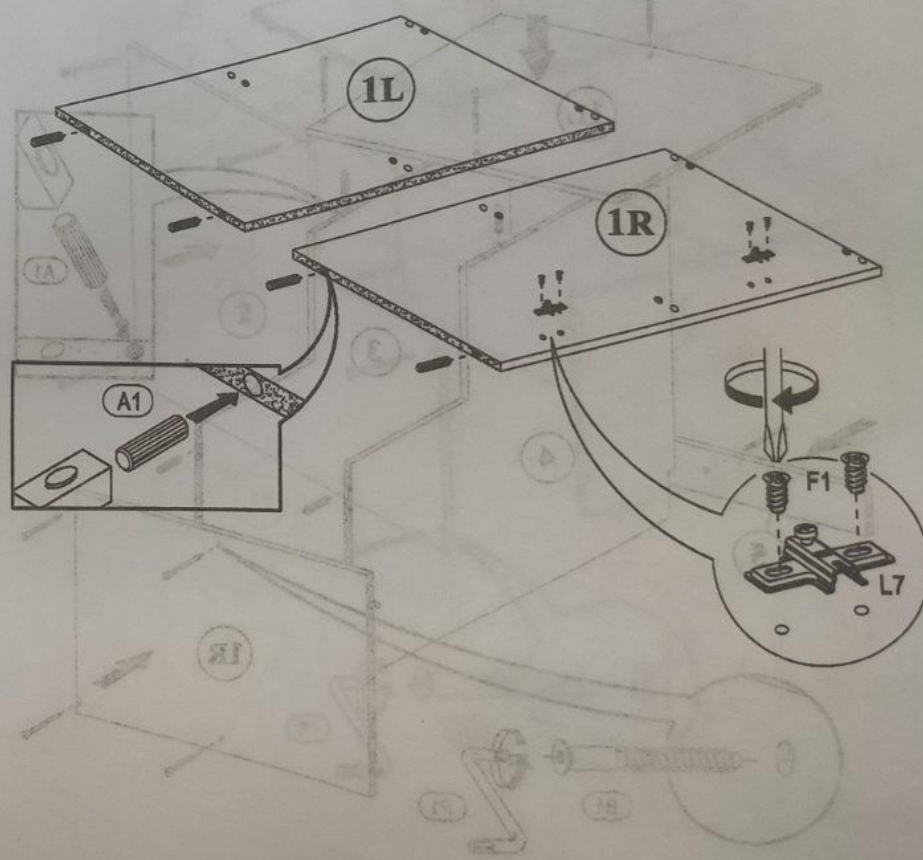


SHOT ON MI 9 SE
AI TRIPLE CAMERA



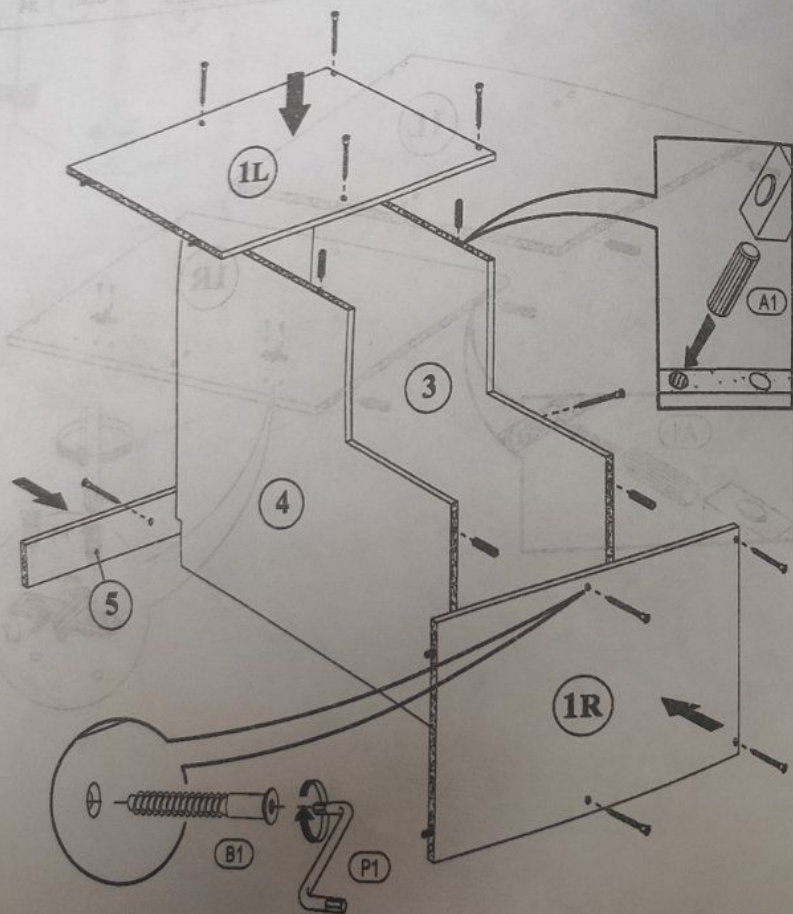
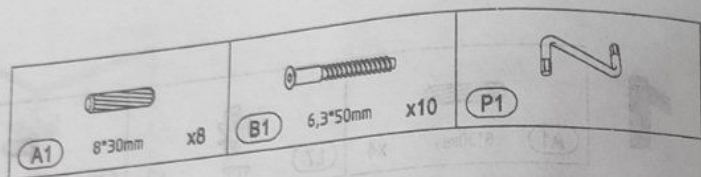
1

		
A1 8*30mm x4	L7 175° x2	F1 6,3*13mm x4



Martha
Alina

2

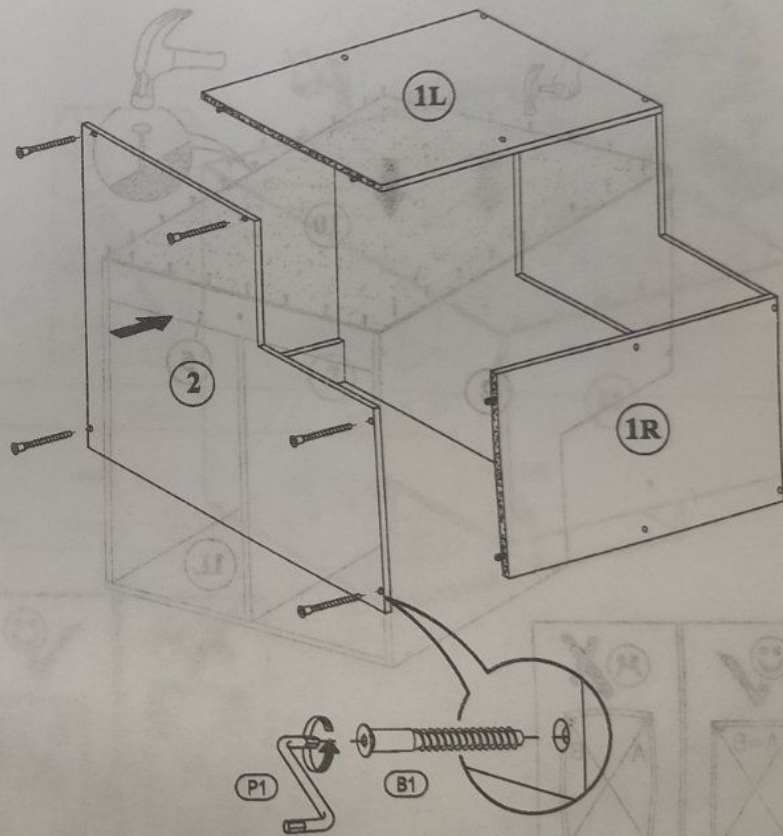
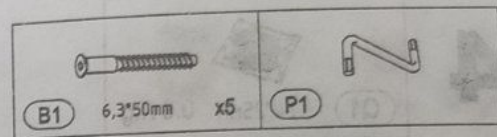


6/16

1306x768
WEB 3.0
AI TRIPLE CAMERA
SHOT ON MI 9 SE

Martha
Alina

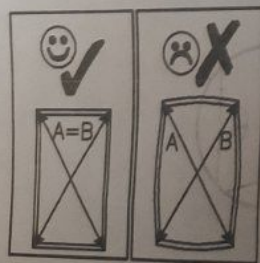
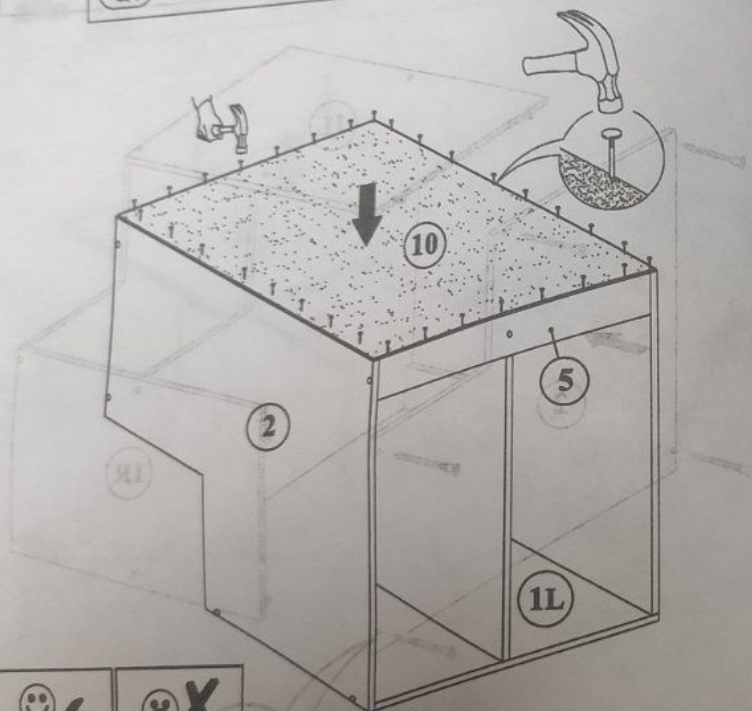
3



7/16

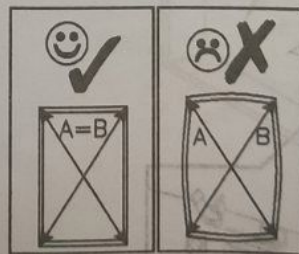
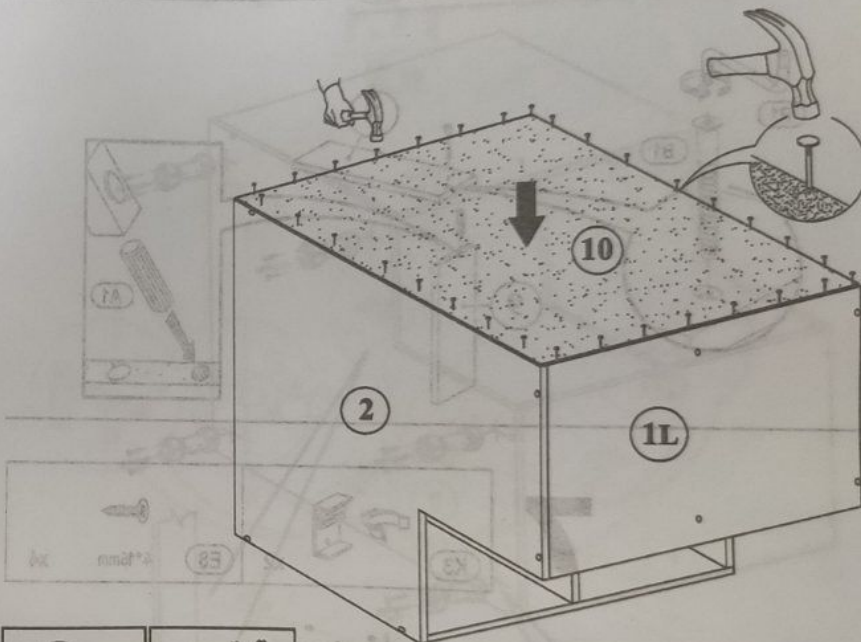
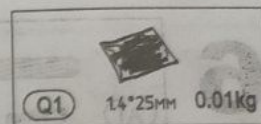
Martha
Alina

4



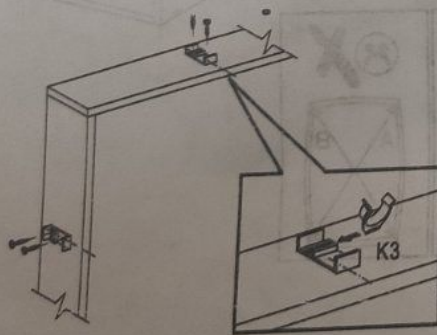
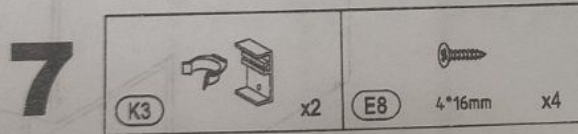
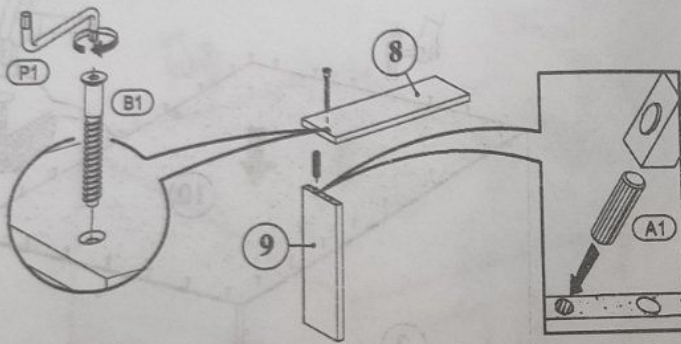
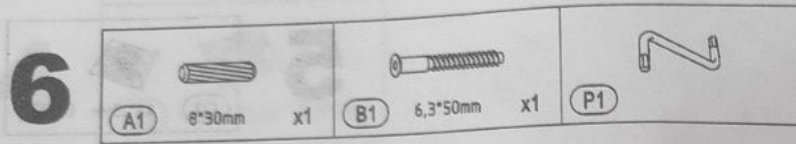
Martha
Alina

5



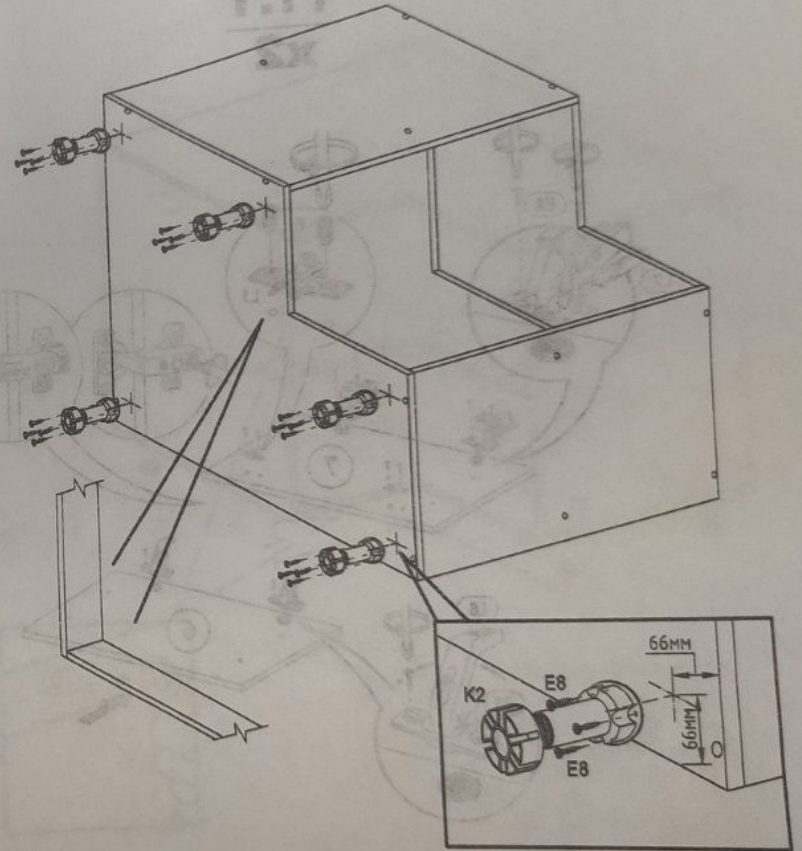
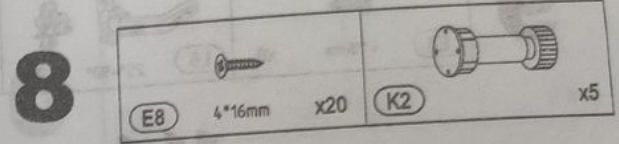
SHOT ON MI 9 SE
AI TRIPLE CAMERA

Martha
Alina



10/16

Alina
Alina
SHOT ON MI 9 SE
AI TRIPLE CAMERA



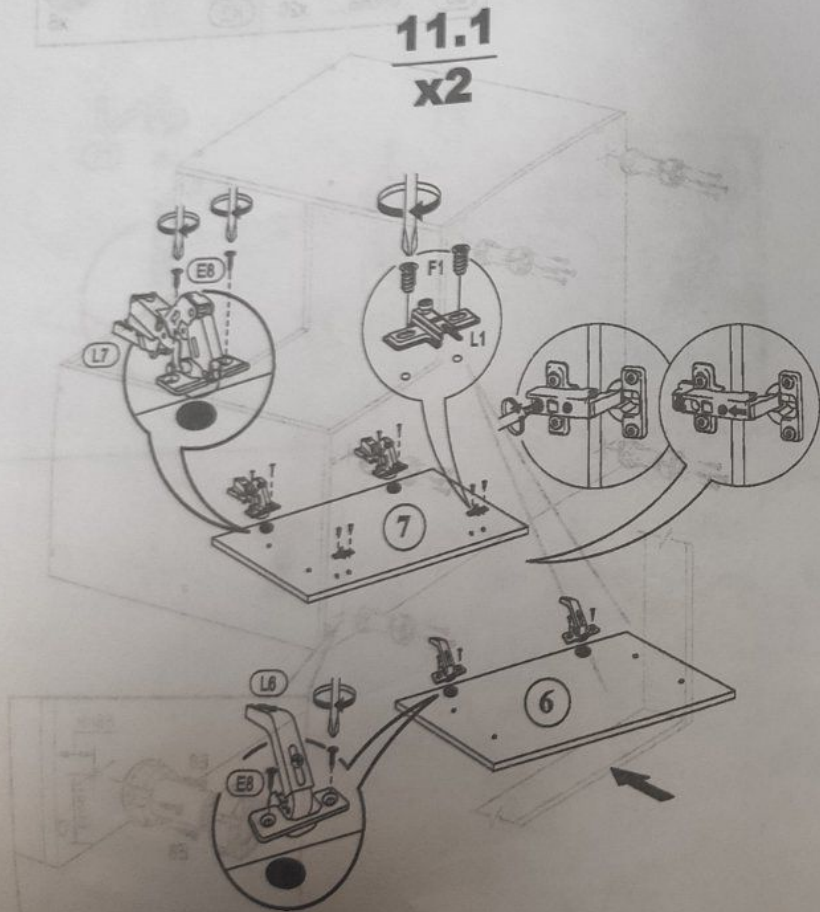
11/16

Martha
Alina

9



11.1
x2

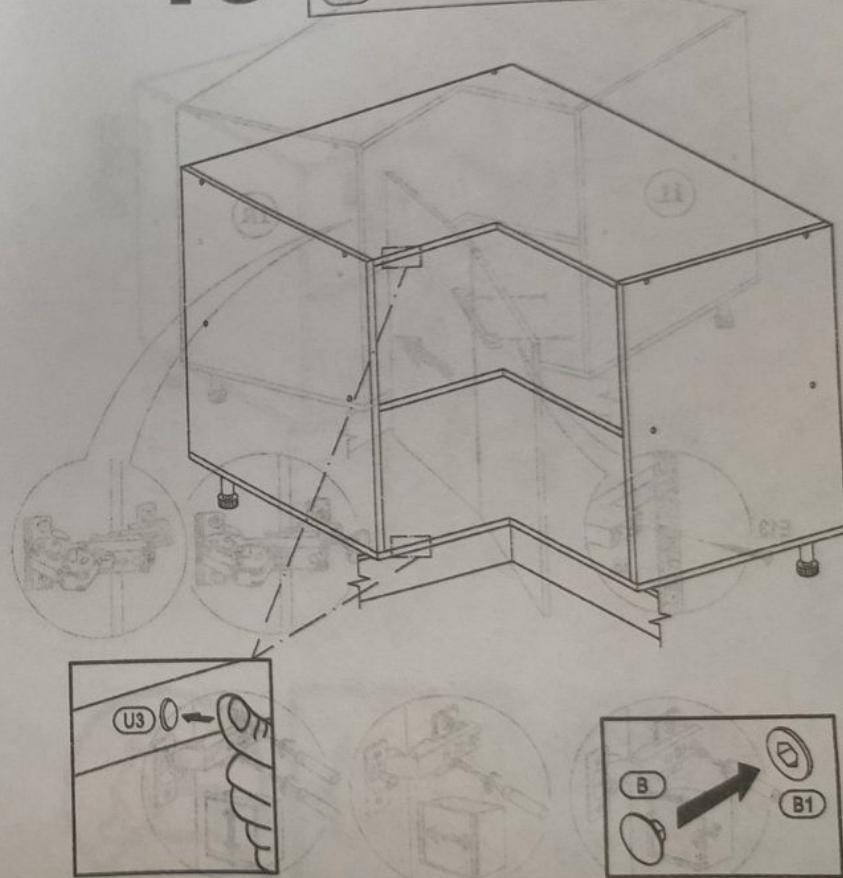
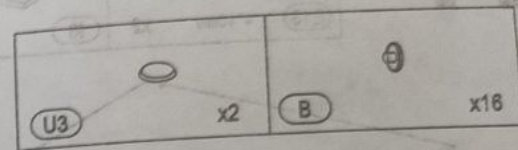


12/16

AL TRIPLE CAMERA
SHOT ON MI 9 SE

Martha
Alina

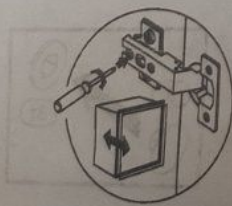
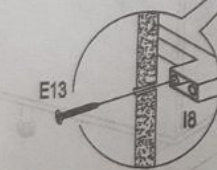
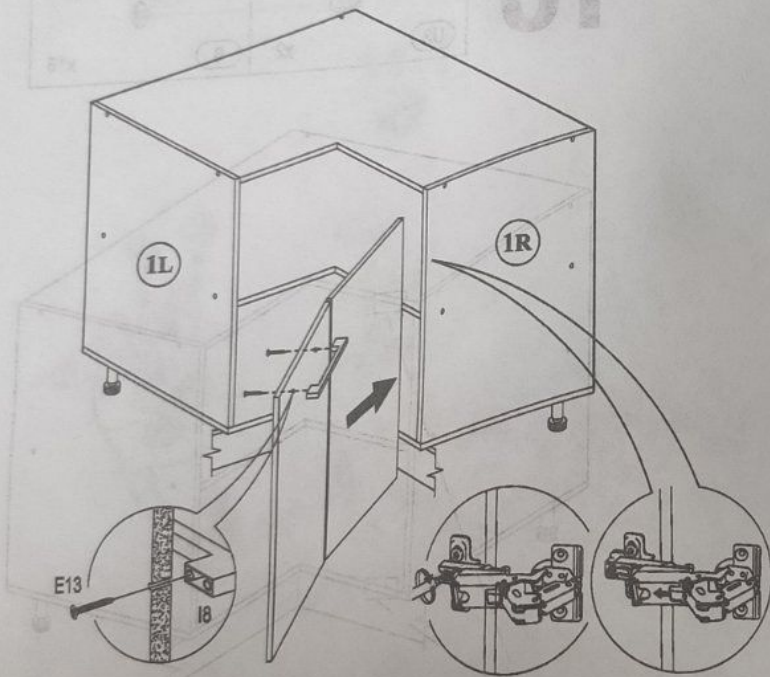
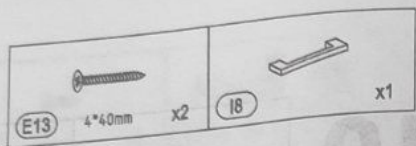
10



13/16

Martha
Alina

11



SHOT ON MI 9 SE
AI TRIPLE CAMERA

Martha
Alina

12

